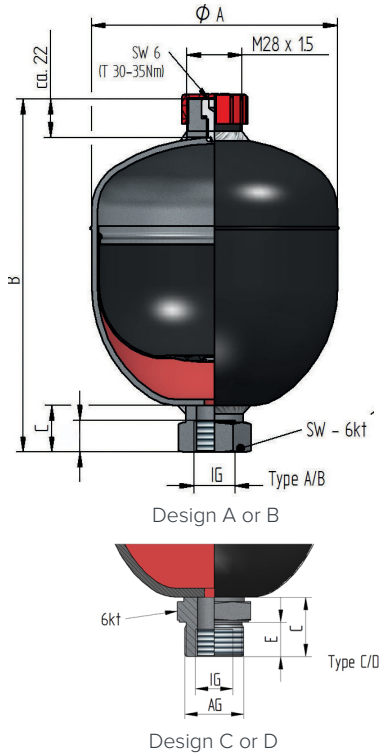




HENNLICH

DIAPHRAGM ACCUMULATOR HMS

HMS ECO 0.16–3.5 LITRES, 210–350 BAR



TECHNICAL DATA

VOLUME

0.16–3.5 litres

APPROVAL

DGRL 2014/68/EU

Other versions on request

MAX. PERMISSIBLE PRESSURE (PS)

210–350 bar

MAX. PERMISSIBLE PRECHARGE PRESSURE (P_0)

150 bar

PERMISSIBLE TEMPERATURES (TS)

-40°C to +120°C

COATING

Black PU paint (RAL9017)

MATERIALS

Body and connections: Carbon steel

Membrane: ECO

GAS VALVE

Standard valve M28x1.5

CONNECTIONS

BSP EN ISO 228, see table

PART NO.	NOMINAL VOLUME [L]	MAX. OPERATING PRESSURE [BAR]	OIL CONNECTION					ϕA [MM]	B HEIGHT [MM]	WEIGHT APPROX. [KG]	$P_0 : P_2^*$	
			DESIGN	IG	AG	SW 6KT	C					E
HMS-016-250-2200	0.16	250	A	G ½"	-	32	22	74	121	1	1:8	
HMS-032-210-2200	0.32	210	A	G ½"	-	32	22	93	142	1.4	1:8	
HMS-05-210-2200	0.5	210	A	G ½"	-	32	20	105	150	1.7	1:8	
HMS-05-210-2201	0.5	210	C	G ½"	M33x1.5	41	42	16	105	170	1.9	1:8
HMS-075-210-2200	0.75	210	A	G ½"	-	41	23	120	169	2.6	1:8	
HMS-075-210-2201	0.75	210	C	G ½"	M33x1.5	41	42	16	120	188	2.8	1:8
HMS-075-350-2200	0.75	350	A	G ½"	-	32	20	132	180	4.8	1:8	
HMS-075-350-2201	0.75	350	C	G ½"	M33x1.5	41	41	16	132	200	4.8	1:8
HMS-10-210-2200	1	210	A	G ½"	-	41	22	136	180	3.9	1:6	
HMS-10-210-2201	1	210	C	G ½"	M33x1.5	41	41	16	136	199	3.9	1:6
HMS-14-250-2201	1.4	250	C	G ½"	M33x1.5	41	41	16	150	221	4.9	1:6
HMS-14-350-2200	1.4	350	A	G ½"	-	41	22	158	210	7.5	1:6	
HMS-14-350-2201	1.4	350	C	G ½"	M33x1.5	41	41	16	158	229	7.6	1:6
HMS-28-250-2200	2.8	250	D	G ¾"	M45x1.5	55	41	18	174	285	10.8	1:4
HMS-28-250-2201	2.8	250	B	G ¾"	-	41	21	174	266	10.8	1:4	
HMS-35-350-2201	3.5	350	D	G ¾"	M45x1.5	55	21	174	332	12.7	1:4	

* Max. permissible pressure ratio.

Manufacturing tolerances are not taken into account. Subject to modifications.



DIAPHRAGM ACCUMULATOR HMS

TYPE CODE

DIAPHRAGM ACCUMULATOR HMS	
Nominal size [litres]	
0.075 / 0.16 / 0.32 / 0.5 / 0.75 / 1 / 1.4 / 2 / 2.8 / 3 / 3.5	
Max. operating pressure [bar]	
140 / 210 / 250 / 350	
Approval identification	
CE	90
GUS	71
None, Art. 4.3 PED	00
Others on request	
Calculation standard	
AD 2000	D
EN 14359	E
ASME	A
Permissible approval operating pressure [bar]	
According to approval	
Accumulator body material	
Carbon steel	A
Stainless steel	R
Membrane material	
NBR (standard)	25
ECO (Hydrin)	02
IIR (butyl)	40
FKM (Viton)	80
Gas connection size	
M28x1.5	A
Special connection, details in article description	Z
Size of oil connection	
IG ½"	A
IG ¾"	B
IG ½" and M33 x 1.5 outside	C
IG ¾" and M45 x 1.5 outside	D
Precharge pressure [bar]	
Special design	
ATEX – Zone 1 (II 2G)	X
Details in article description, e.g. painted RAL9005	Z

HMS 0.05 - 250 / 90 D 250 A 25 AA 000 Z

